

FIBER DISTRIBUTION CABINET

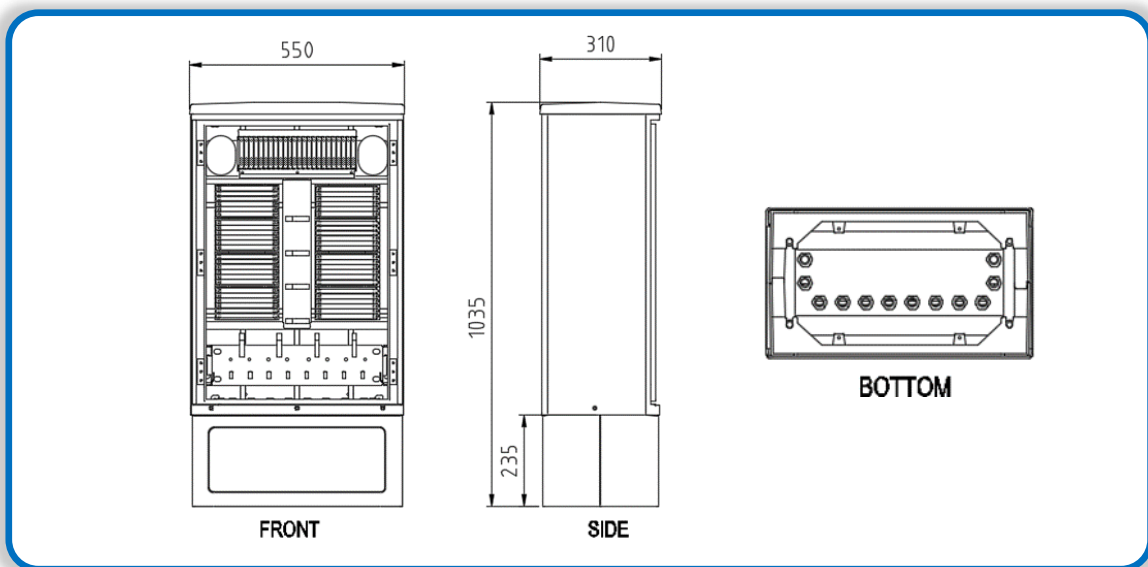


DESCRIPTION

Optical Fiber Distribution Cabinet (FDC) is a kind of fiber distribution Hub/ Transfer device. It is mainly used for connecting, allocation and dispatching of communication optical cables to each optical distribution node, providing safe, reliable and flexible management equipment of optical fiber and cable for communication network.

FEATURES

- The FDC is made of SMC polymer materials or high-quality steel for achieving the excellent insulation performance. Its protection rate is IP54.
- The material passed UL746C F2 Rating
- Single Front door operation with detachable door structure.
- The passive components are operated in a same integration enclosure with pre-installed design for simple and easy installation.
- Suitable for ribbon, bundle and non-ribbon cable.
- Reliable cable introducing, fixing, protection, grounding devices.
- Various fusion splicing and wire markings are available for easy splicing and wiring recording.
- Optical fiber management available for splice tray and fiber cord cable to ensure the fiber bend radius is more than 30mm.
- Support 36 cable input/output port with reusable cable gland.
- Passed IEC 60068-2-6 vibration test



SPECIFICATIONS (FDC)

Model	FS-FDC-1	FS-FDC-2	FS-FDC-3	FS-FDC-4	FS-FDC-5	FS-FDC-6
1:4 Splitter	4	8	12	16	20	24
Splitter Termination	20	40	60	80	100	120
Material	Steel Maudling Compound Polymer Materials (SMC)					
Bending Radius (mm)	> 30					
Size (mm)	1035 x 550 x 310					
Color	Grey (Pantone 413C)					
Door Type	Single Front Entry & Detachable					
IP Level	IP 65					
Working Temperature (°C) ^{*1}	-40 ~ +65					
Life Span ^{*2}	20 years					

Notes:

^{*1} The tests selected combined with the severity and duration is a representation of an outside plant for ground level environment defined by IEC 61753-1 (Table A.1), category G: ground level.

^{*2} Lifetime expectancy of the FDC is calculated based above ground level environment which based on by IEC617 53-1 (Table A.1), category G: ground level standard.

SPECIFICATIONS (SPLITTER)

Item	1:4 Splitter
Max Insertion Loss (dB)	< 7.4 dB
Min Return Loss (dB)	> 55dB
Directivity (dB)	> 55dB
Max Channel Uniformity (dB)	< 1.2 dB
Max PDL (dB)	< 0.2 dB
Size (mm)	100 x 80 x 10 mm
Working Temperature (°C)	-40 ~ +75
Standard	Telcordia Standard GR-1209-CORE And GR-1221-CORE
Fiber Type	ITU-T G.657A1
Support Wavelength (nm)	1260 ~ 1650 nm
Input & Output Fiber Cord Length & Diameter	2 Meter (0.8Meter <Φ2.0mm> + 1.2Meter <Φ0.9mm>)

SPECIFICATIONS (CABLE GLAND)

Reusable Cable Gland	PG21
Material	UL Nylon
Life Span	20 Years
Suitable Cable Diameter	9 ~ 16 mm
IP Level	IP 67
Ports	12 Ports

ORDERING INFORMATION

Part No.	Description
FS-FDC-1	FDC MODEL 4X1:4 SPLITTER (16 Core)
FS-FDC-2	FDC MODEL 8X1:4 SPLITTER (32 Core)
FS-FDC-3	FDC MODEL 12X1:4 SPLITTER (48 Core)
FS-FDC-4	FDC MODEL 16X1:4 SPLITTER (64 Core)
FS-FDC-5	FDC MODEL 20X1:4 SPLITTER (80 Core)
FS-FDC-6	FDC MODEL 24X1:4 SPLITTER (96 Core)