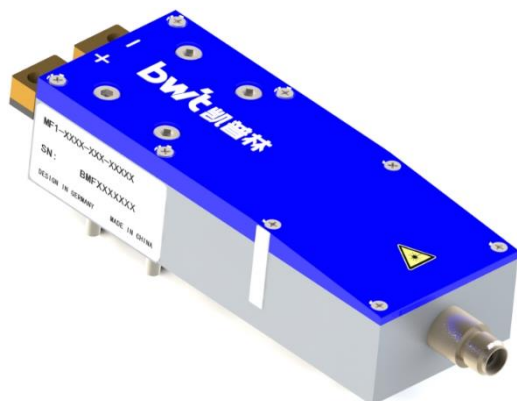


## Conduction Cooled Single Bar Fiber Coupled Module

**MF1-808D-40C-40022**



### Features :

- ◆ 808nm wavelength
- ◆ 40W output power
- ◆ 400μm 0.22NA detachable fiber

### Applications :

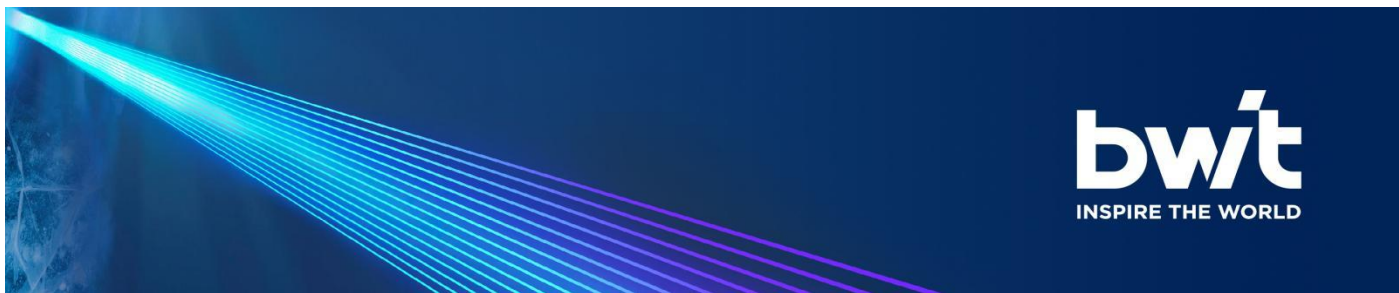
- ◆ Solid State Laser Pump
- ◆ Scientific Research
- ◆ Medical Use

### Main Characters :

- ◆ High output power
- ◆ High brightness
- ◆ Tightly sealed
- ◆ Electrically isolated housing

BWT, founded in 2003, is committed to the mission of "let the dream drive the light", the vision of becoming the "Global leader in laser solutions", and the value of "Outstanding innovation", providing diode laser, fiber laser, ultra-fast laser products and solutions to global customers.

The company pursues continuous innovation and insists on autonomous and controllable advanced process and technology. With Beijing headquarters as the core, BWT has successively established production and R&D centers in Jiangsu and Shenzhen, and invested in the construction of intelligent and digital production base in Tianjin. In order to build the world's highest level of technical strength and product quality, BWT set up a German subsidiary in 2020, and taking a solid step for the internationalization of R&D, production and technological innovation.



## Conduction Cooled Single Bar Fiber Coupled Module

### MF1-808D-40C-40022

Specifications ( 25°C )		Unit	MF1-808D-40C-40022
<b>Optical Data<sup>(1)</sup></b>	CW Output Power	W	40
	Center Wavelength	nm	808±3
	Spectral Width (FWHM)	nm	< 4
	Wavelength Shift with Temperature	nm/°C	~0.28
	Wavelength Shift with Current	nm/A	~0.25
<b>Electrical Data</b>	Electrical-to-Optical Efficiency	%	> 40
	Operating Current	A	< 55
	Threshold Current	A	< 12
	Operating Voltage	V	< 2.0
	Slope Efficiency	W/A	> 0.9
<b>Fiber Data</b>	Core Diameter	μm	≥400
	Numerical Aperture	-	0.22
	Fiber Termination	-	HP-SMA905 with Free Standing Fiber Tips
<b>Others</b>	ESD	V	500
	Storage Temperature <sup>(2)</sup>	°C	0~55
	Operating Case Temperature <sup>(3)</sup>	°C	20~30
	Relative Humidity	%	15~75

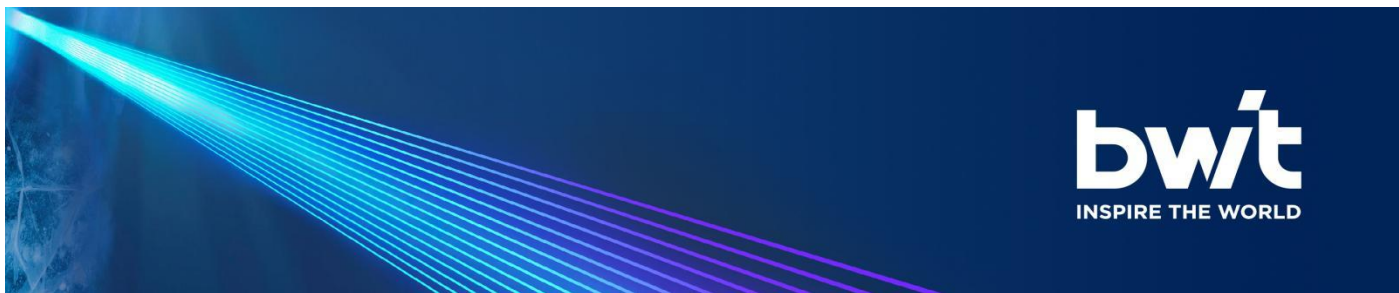
(1) Data measured under operation at nominal output power @25°C.

(2) A non-condensing environment is required for operation and storage.

(3) Operating temperature defined by the package case. Acceptable operating range is 20°C~30°C, but performance may vary.

(4) The data above are for reference only. For specific data, please refer to the delivery package data.

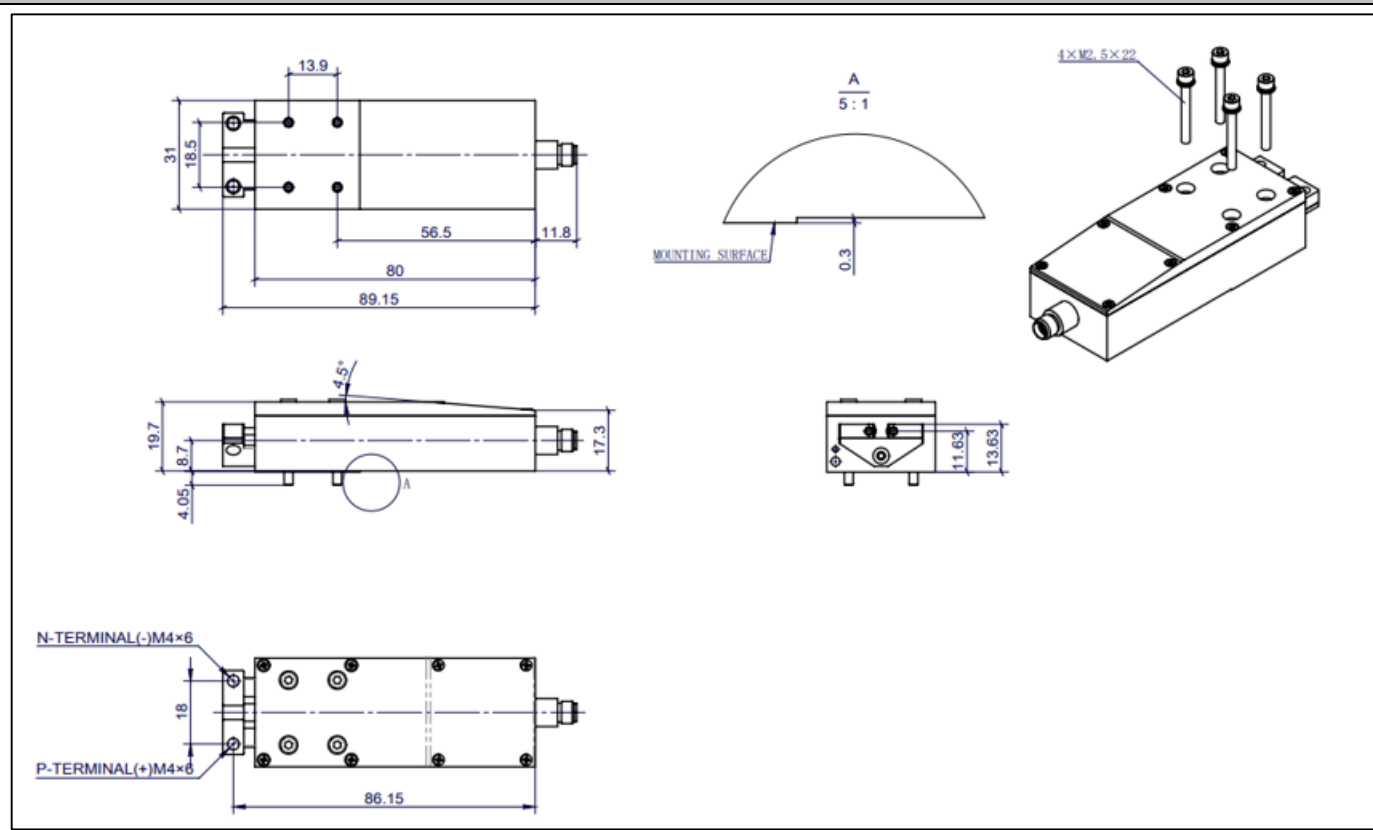
(5) Other wavelengths and configurations on customer request.



## Conduction Cooled Single Bar Fiber Coupled Module

MF1-808D-40C-40022

### Package Dimensions (mm)



### OPERATING NOTES

- ◆ Avoid eye and skin exposure to direct radiation during operation.
- ◆ ESD precautions must be taken during storage, transportation and operation. Short-circuit is required between pins during storage and transportation.
- ◆ Use constant current power supply to avoid surge current during operation.
- ◆ Laser diode must be used according to the specifications.
- ◆ Laser diode must work with good cooling.
- ◆ Operation temperature ranges from 20°C to 30°C .
- ◆ Storage temperature ranges from 0°C to 55°C.



**Declaration:** information and specifications contained herein are deemed to be reliable and accurate. BWT Beijing reserves the right to change, alter or modify the design and specifications of these products at any time without notice.21-1