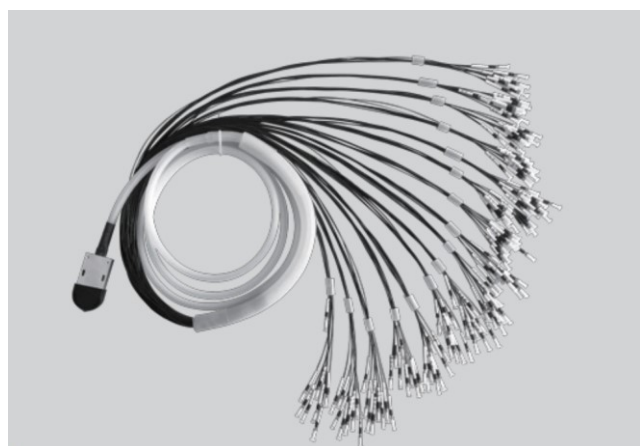


## V-groove Fiber Array

ACTP-16/32/48/64/96/128 (Customized Product)



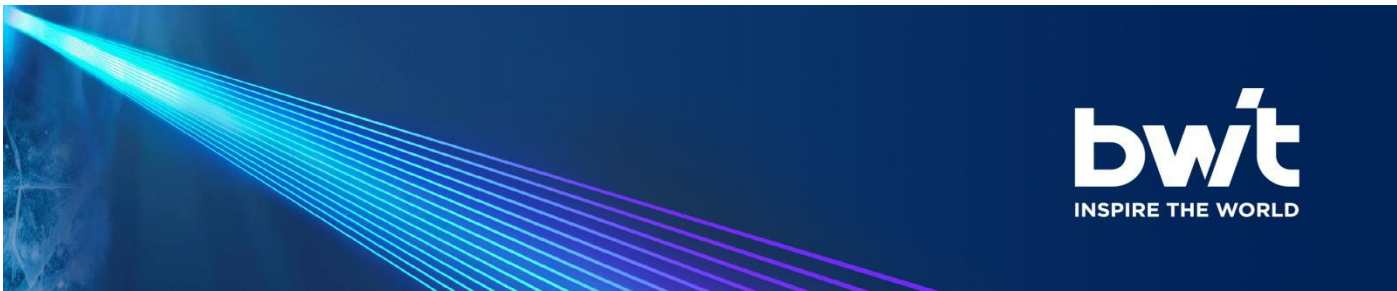
### Applications:

- ◆ Printing application
- ◆ Scientific research

BWT, founded in 2003, is committed to the mission of "let the dream drive the light", the vision of becoming the "Global leader in laser solutions", and the value of "Outstanding innovation", providing diode laser, fiber laser, ultra-fast laser products and solutions to global customers.

The company pursues continuous innovation and insists on autonomous and controllable advanced process and technology. With Beijing headquarters as the core, BWT has successively established production and R&D centers in Jiangsu and Shenzhen, and invested in the construction of intelligent and digital production base in Tianjin. To bulid a high level of technical strength and product quality, BWT set up a German subsidiary in 2020, and taking a solid step for the internationalization of R&D, production and technological innovation.

Version number	Change content	Change date
00	First edition	2021.09.17



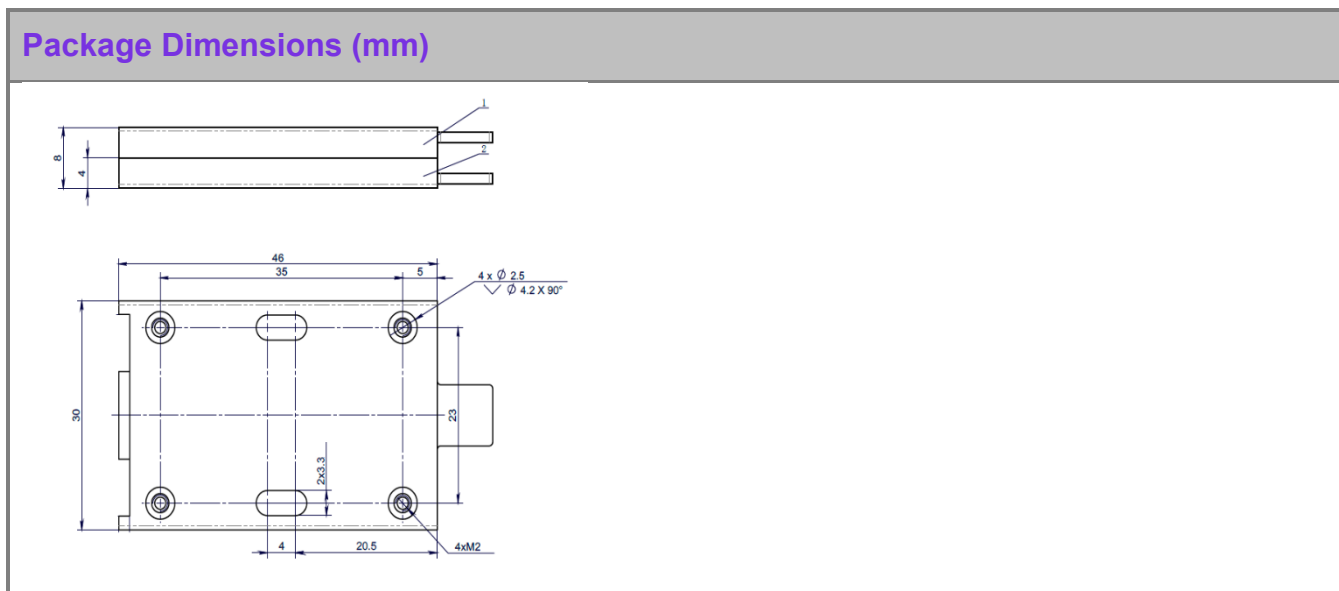
## V-groove Fiber Array

### ACTP-16/32/48/64/96/128 (Customized Product)

Specifications	Unit	CTP-16/32/48/64/96/128
Fiber Center Interval	μm	125
Vertical Precision of Fiber Position	μm	±4
Transmissivity	-	>90%
Fiber Numbers	-	16/32/48/64/96/128
Fiber Core Diameter	μm	50/60
Fiber Cladding Diameter	μm	125
Fiber Buffer Diameter	μm	250
Fiber Jacket Diameter	μm	900
Numerical Aperture	-	0.14/0.22
Fiber Length <sup>(1)</sup>	m	1.0
Fiber Connector	-	FC, ST, SMA-905

(1) Customized fiber length available

### Package Dimensions (mm)



**Declaration:** information and specifications contained herein are deemed to be reliable and accurate. BWT Beijing reserves the right to change, alter or modify the design and specifications of these products at any time without notice.21-1